

Line Reactor For UPS/BESS

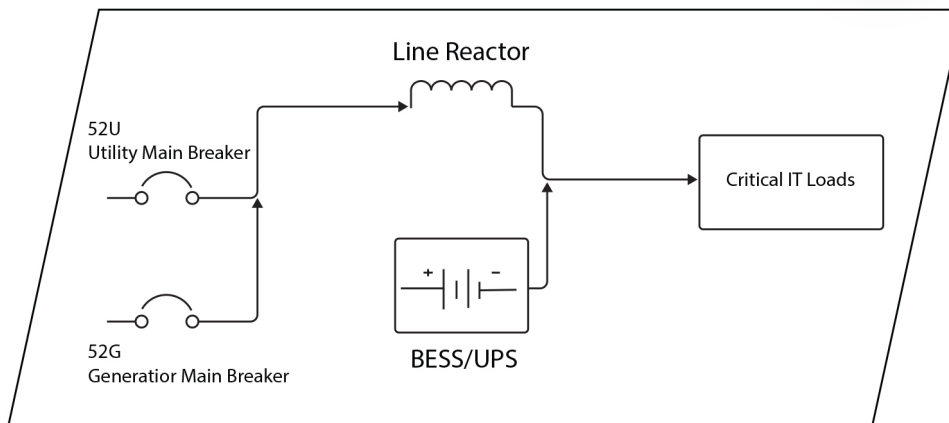
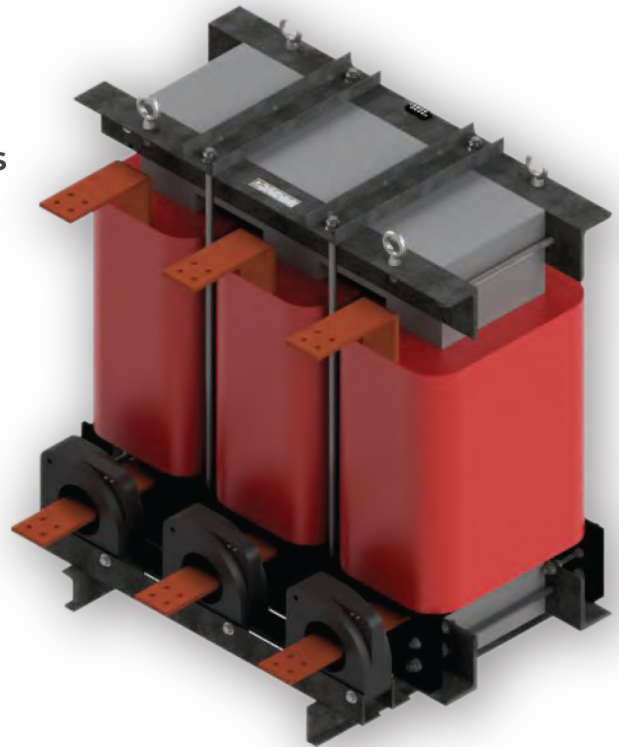
Critical Power Applications

Example Low Voltage Line Reactor Specs

- 480V 3-Phase Dry Type Reactor
- 1.4 MVAR
- .260 mHy @ 2,270 ARMS
- ISaturation: 3,000A
- 80 Degree Rise
- Cu Windings
- With CT's and RTD
- 7000 Lbs

Key Features

- 100% Made In USA
- Quietest reactors on the market
- Custom engineered based on your specifications
- Up to 45 kV System
- Can be Customized with CT's, PT's, and Temperature monitoring



EPEC
SOLUTIONS, INC.

Contact: Drew Vermillion
drewvermillion@rebossinc.com
919.641.0941